

# Instructions for Using

# **Gundlach**

## No. 437 Grout Cleaning System

The Gundlach No. 437 Grout Cleaning System permits faster cleanup as compared to other methods. The tub moves easily on the four dual wheel swivel casters. All parts are either plastic or aluminum to prevent rust.



---

## Setup Instructions

---

1. Install the four swivel casters by pushing a caster into slot on the bottom of the tub.
2. Install the roller section and rinse grate in the tub as shown below.



# Using the Grout Cleaning System

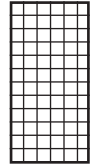
1. Fill the tub with clean water to about  $\frac{3}{4}$ " above the rinse grate.
2. Attach a No. 437-01 Hydra® Sponge to a No. 437-02 Sponge Holder.
3. Wet the sponge by pressing over the rinse grate. Remove excess water by moving the sponge over the three rollers towards the tub. Now you are ready to clean tile.
4. Move the sponge in a circular motion over the tile. This helps to form the grout joints and clean the tile. Rinse the sponge as needed.
5. For the final wash, use long straight strokes applying light pressure to the sponge.



No. 437-02



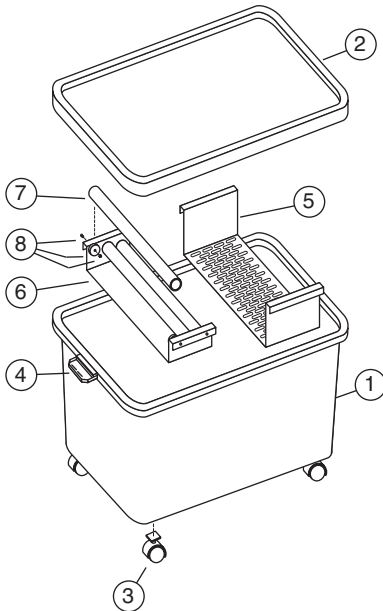
No. 437-01



Bottom of Sponge

**Note:** The No. 437-01 Hydra® Sponge has 1" x 1" slits  $\frac{1}{4}$ " deep in the pattern shown here for more effective grout cleanup. The slits help pick up more grout, leaving the tile cleaner, and allows the sponge to be rinsed cleaner, too.

## Replacement Parts



Key	Item Number	Qty. Used	Description
1	437-03	1	Tub
2	437-04	1	Lid
3	437-05	4	Castors
4	437-06	2	Handles
5	437-07	1	Rinse Grate
6	437-08	1	Roller Frame
7	437-09	3	Rollers
8	437-10	6 sets	Bushing, Screw and Nut Set (3/set)

**Note:** See the current product catalog for a description of and ordering information for the No. 437-01 Hydra® Sponge and the No. 437-02 Sponge Holder for the No. 437 Grout Cleaning System.



**Beno J. Gundlach Company**  
 211 North 21st Street • P.O. Box 544  
 Belleville, IL 62222 • U.S.A.  
 TEL: 618 233-1781 • FAX: 618 233-3636  
[www.benogundlachco.com](http://www.benogundlachco.com)