



# product release

NPR-24

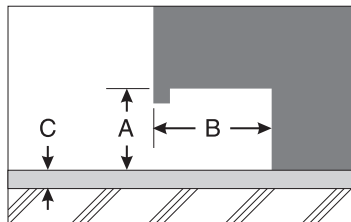
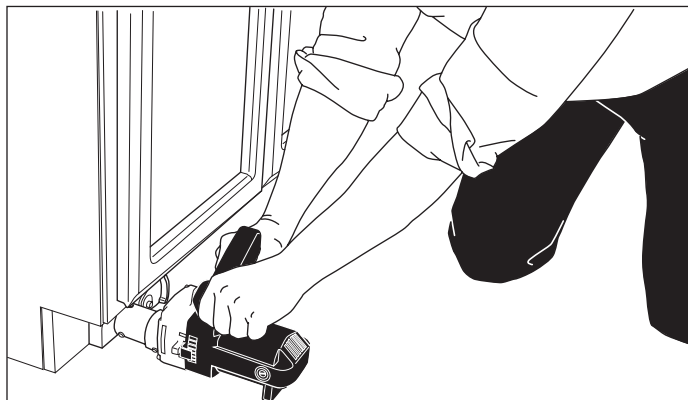
from

**GUNDLACH**

## No. 775 Toe-Kick Saw Kit

This Toe-Kick Saw cuts flush to the inner wall of a toe space in a cabinet or counter area to remove old underlayment. The saw has a clutch mechanism that may disengage to reduce kickback forces if the saw is abused by cutting curves or cutting backwards. The No. 789 Diamond Blade is sold separately and can be used on this saw for cutting tile or grout. Each saw kit includes a No. 787 Carbide Tipped Steel Blade, saw, plastic carrying case, hex wrench and instructions.

**Note:** The No. 788 Carbide Tipped Steel Blade is NOT for use with this saw.



### Toe-kick area to be cut:

- A** Minimum Height: 3½"
- B** Maximum Depth: 4"
- C** Maximum Floor Thickness:  
No. 787 = ¾"  
No. 789 = ⅝"

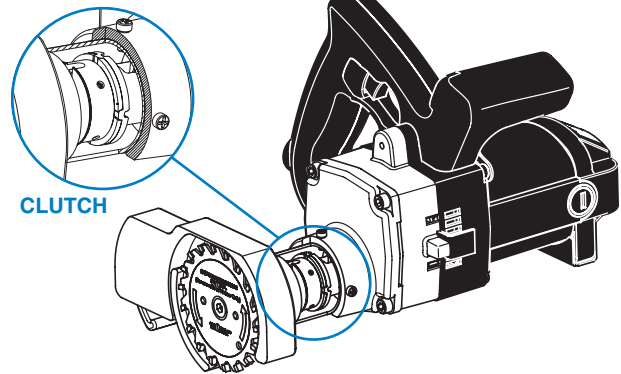
**PRICE**  
**\$298<sup>95</sup>**



No. 787

### Specifications

Motor	2½ HP 120V 11A 60 Hz
Blade Shaft RPM	4,500 RPM
Weight	8.9 lbs.



CLUTCH

**PRICE**  
**\$24<sup>95</sup>**

For undercutting wood.



No. 787

**PRICE**  
**\$28<sup>20</sup>**

For dry undercutting tile, stone, concrete and brick.



No. 789

Item No.	Blade Type	No. of Teeth	Diameter	Depth of Cut
787	Carbide Tipped	18	3⅝"	¾"
789	Continuous Diamond Rim	—	2⅝"	⅝"

**Note:** These blades are compatible with all previous versions of the Crain Toe-Kick Saw.

**Caution:** As these blades are subject to possible abuse, they are not guaranteed. Blades are **not** recommended for cutting metal as sparks can cause a fire hazard.



## Beno J. Gundlach Company

211 North 21st Street • P.O. Box 544  
Belleville, IL 62222 • U.S.A.  
TEL: 618 233-1781 • FAX: 618 233-3636  
www.benogundlachco.com